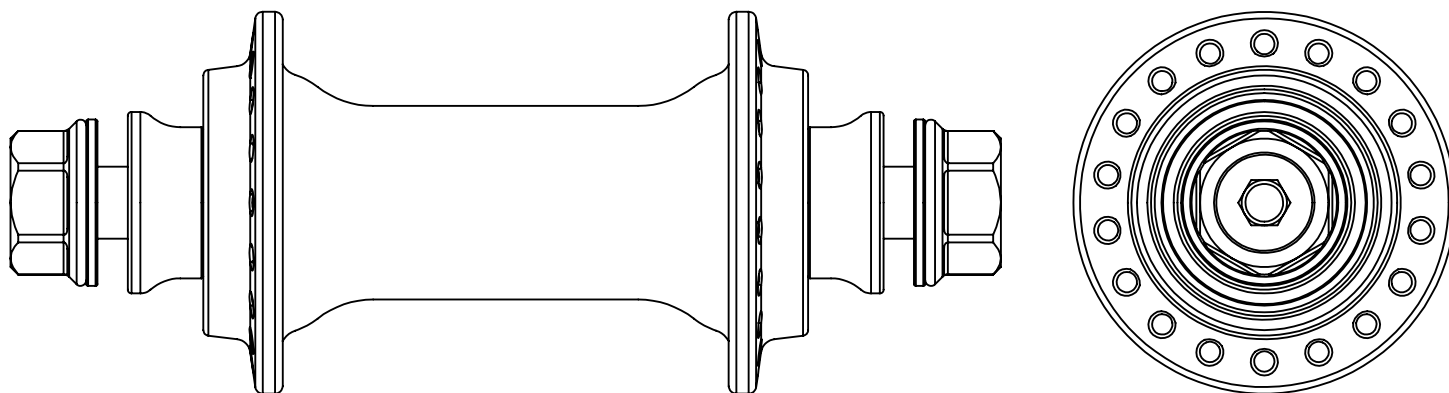




# ANTIGRAM FRONT HUB



**ISSUE DATE:** JULY 2013

**SUMMARY:** A HIGH QUALITY, SEALED, FRONT HUB WITH IN-BOUND AXLE BOLTS THAT IS GUARD COMPATIBLE. THE HUB'S STEEL COLLAR SHAPE SIMPLIFIES REMOVAL FOR BEARING AND AXLE MAINTENANCE.

**SPOKE CONFIGURATION:** 36-HOLE

**HUB SHELL MATERIAL:** 7075-T6 ALUMINUM

**HUB SHELL BEARINGS:** 6903RS SEALED CARTRIDGE BALL BEARING

**AXLE:** 3/8" 4130 CHROMOLY AXLE BOLTS WITH 17mm, 7075-T6 ALUMINUM FEMALE AXLE. (STEEL HELICOILED THREADS.)

**WEIGHT:** 9 oz / 255g

**GUARD OPTION:** ANTIGRAM SPECIFIC, 7075-T6 ALUMINUM. ADDITIONAL DESIGNS AVAILABLE SOON.

**EFFECTIVE FLANGE DIAMETER:** 42mm

**FLANGE TO CENTER DISTANCE:** 31.5mm

