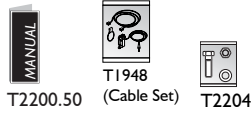
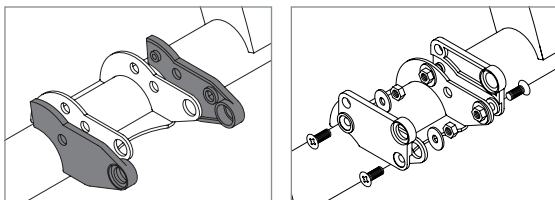
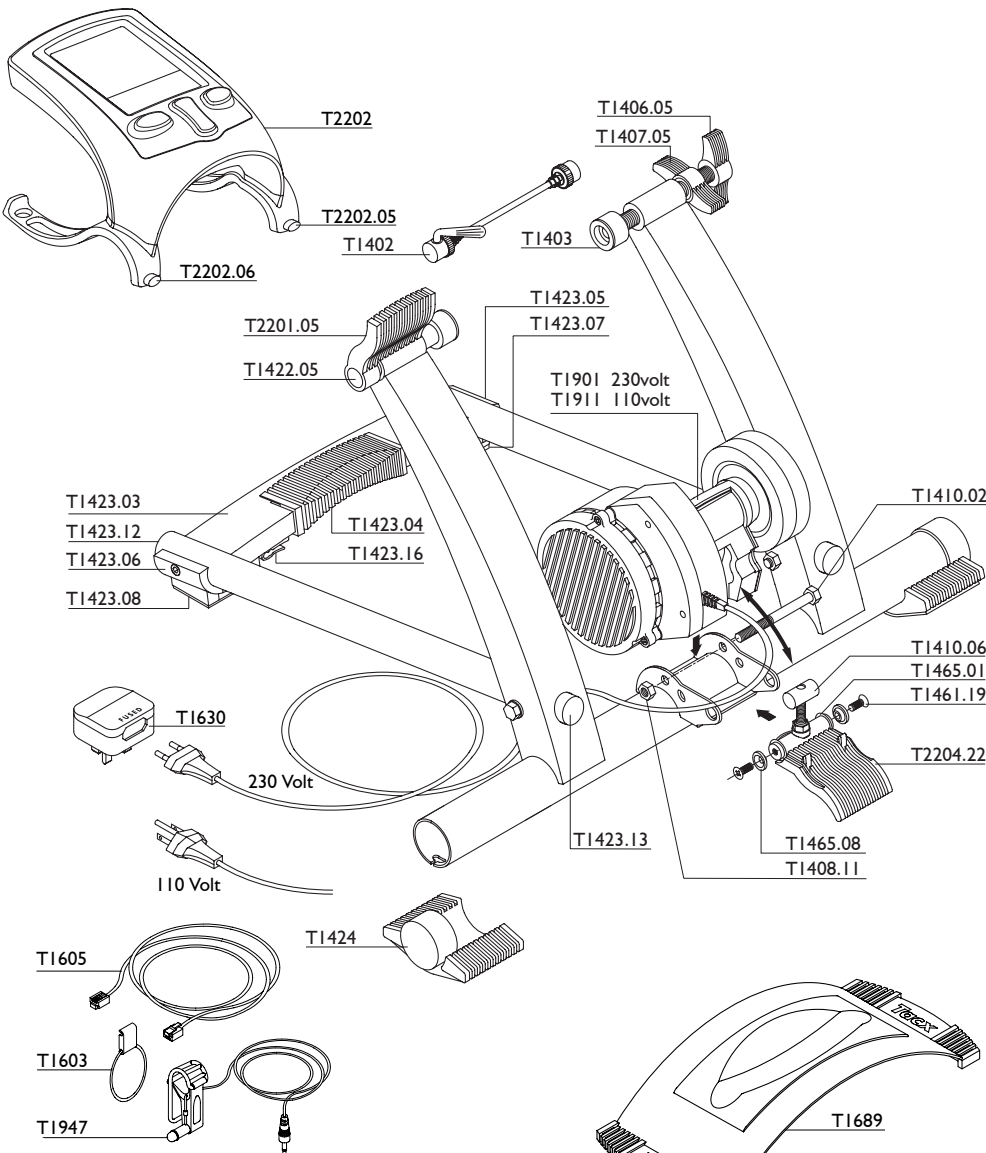


# Flow 230V T2200, 110V T2210



- T1402** Quick Release, rear wheel
- T1403** Quick release holder
- T1406.05** Bolt M16 with nut
- T1407.05** Wing nut, M16
- T1408.11** Lock nut, M8
- T1410.02** Bolt, M8 x 85
- T1410.06** Spacer, M8
- T1422.05** Movable piece
- T1423.03** Front leg
- T1423.04** Slide
- T1423.05** Sidefoot, right
- T1423.06** Sidefoot, left
- T1423.07** Rubber sole, right
- T1423.08** Rubber sole, left
- T1423.12** End cap, round 30 mm
- T1423.13** End cap, round 25 mm
- T1423.16** Cable clip
- T1424** Foot CycleForce
- T1461.19** Screw, M6 x 12
- T1465.01** Rubber ring
- T1465.08** Washer for hinge
- T1466** Unit mounting adapter set
- T1603** Magnet complete
- T1605** Cable
- T1630** Adaptor for UK power point
- T1689** Skyliner Flow
- T1901** Electrobrake 230V
- T1911** Electrobrake 110V
- T1947** Sensor cadence
- T1948** Cableset
- T2200.50** Flow manual set
- T2201.05** Lever Flow, blue
- T2202** Flow computer
- T2202.05** Handlebar clamp Flow, right
- T2202.06** Handlebar clamp Flow, left
- T2204** Fitting kit Flow
- T2204.22** Quick release complete, blue



T1466 Unit Mounting Adapter Set for bikes with wheel diameters of 610 - 640 & 690 - 720 mm