

# Cyclestand T3000

# Tacx

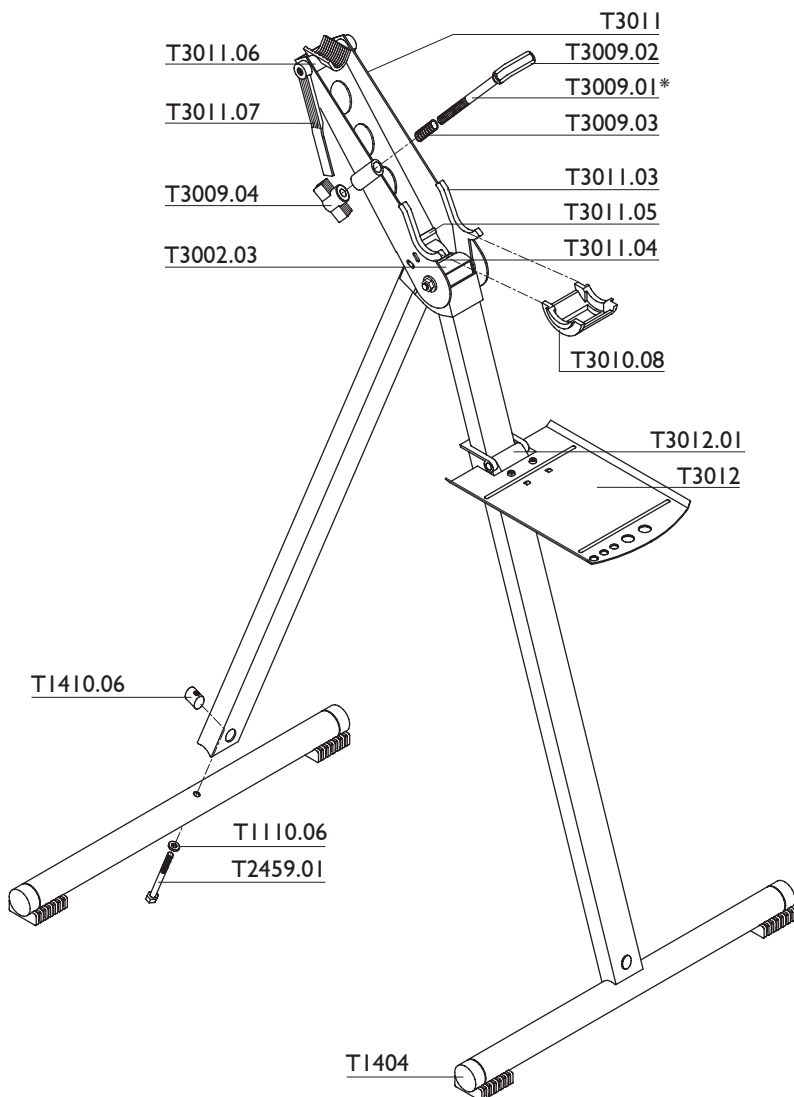


MANUAL

T3000.25



T3010



- T1110.06 Washer, M8
- T1404 Rubber foot
- T1410.06 Spacer, M8
- T2459.01 Bolt, M8 x 65
- T3000.25 Manual Cyclestand
- T3002.03 End cap
- T3009.01 Hook
- T3009.02 Rubber sleeve
- T3009.03 Spring
- T3009.04 Wing nut, M10
- T3009.05 Hook, extra long
- T3010 Fitting kit Cyclestand
- T3010.08 Adaptor b.bracket support
- T3011 Arm Cyclestand complete
- T3011.03 B. bracket support, right
- T3011.04 B. bracket support, left
- T3011.05 Protection piece
- T3011.06 Block
- T3011.07 Aiming piece
- T3012 Tool tray Cyclestand compl.
- T3012.01 Leg guide complete